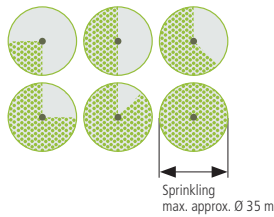
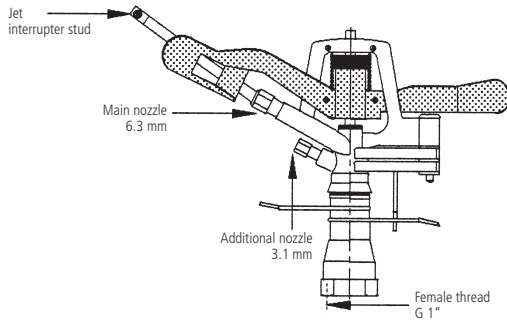


Circular/sector sprinkler



6



Circular/sector sprinkler „V 65“

Advantage / benefit: ... Swing arm sprinkler
Jet interrupter stud for regulation of throw length and drop size
Sector limitation from 20° to 360°
Infinitely variable

Material: brass; springs and jet interrupter stud: chromium steel

Requirements: 3/4" hoses and minimum pressure of 3 bar

Area of application: For medium and high sprinkling densities
fields of use: cultivation of vegetables on fields, fruit production, frost protection, sports and leisure time installations etc.

Connection female thread mm	30.93
Connection female thread	G 1"
Water throughput at 3 bar l/min	66.6
Water throughput at 4 bar l/min	77
Throw length at 4 bar approx. m	17.5 (standard nozzle equipment)
HD main nozzle, nozzle bore Ø mm	6.3
ZD additional nozzle, nozzle bore Ø mm	3.1
Recommended pressure range bar	3 – 8
PU units	1
Covering box units	8
Catalogue no.	656331SB
EDV no.	57.5663.9

Circular/sector sprinkler „V 65 S“ with GEKA® tripod

Advantage / benefit: ... **Combination of circular sprinkler „V 65“ and tripod (706510SB)**
 Sprinkler is mounted onto the infinitely height-variable tripod (with sleeve)
Extremely stable and firm
 Foldable

Material: sprinkler: brass; springs and jet interrupter stud: chromium steel; tripod: galvanised steel

Requirements: 3/4" hoses and minimum pressure of 3 bar

Area of application: For medium and high sprinkling densities
fields of use: cultivation of vegetables on fields, fruit production, frost protection, sports and leisure time installations etc.

Please note: Foothold of circular raised sprinklers mainly depends on the corresponding condition of the subsoil

Connection male thread mm	33.25
Connection male thread	G 1"
Tripod height mm	700
Height adjustable to mm	1070
PU units	1
Covering box units	5
Catalogue no.	656331SSB
EDV no.	57.5673.9