

STANDARD FLOW BALL VALVES VIENNA®

> 118 VIENNA® ball valve, standard flow



SIZE	PRESSURE	CODE	PACKING
1/4" (DN 8)	50bar/725psi	0920014	15/240
3/8" (DN 10)	50bar/725psi	0920038	15/240
1/2" (DN 15)	30bar/435psi	1180012	15/195
3/4" (DN 20)	30bar/435psi	1180034	8/88
1" (DN 25)	30bar/435psi	1180100	8/80

> CERTIFICATIONS



> TECHNICAL SPECIFICATIONS:

Female/female threads.

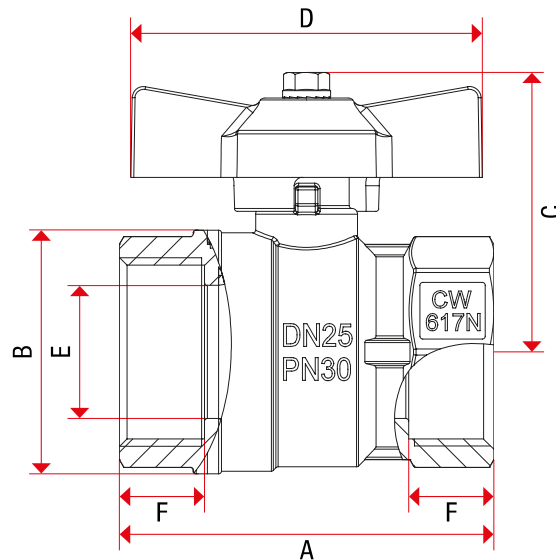
T handle in aluminium.

Body in nickel-plated brass.

Minimum and maximum working temperatures: -20°C, 150°C in absence of steam.

Threads ISO228 (equivalent to DIN EN ISO 228 and BS EN ISO 228).

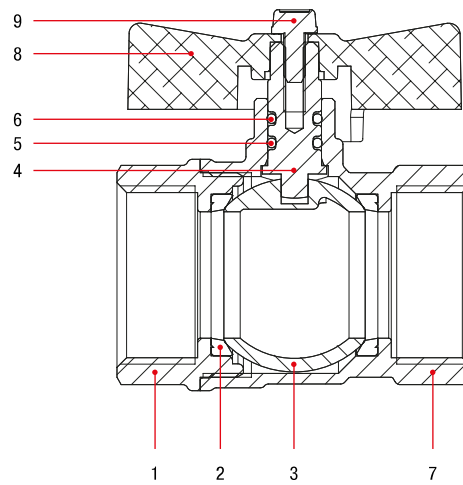
> OVERALL DIMENSIONS



	1/4"	3/8"	1/2"	3/4"	1"
DN	8	10	15	20	25
A	44,4	44,4	48	53	66
B	23,5	24	29	36	43
C	37	37	40	46	49
D	47	47	47	54	62
E	10	10	14	18,5	23,5
F	10	10	12	12	15
Kg/cm² bar	50	50	30	30	30
LBS - psi	725	725	435	435	435

STANDARD FLOW BALL VALVES VIENNA®

> MATERIALS



POS.	DESCRIPTION	N.	MATERIAL
1	Female end adapter	1	Nickel-plated brass CW617N
2	Seat	2	PTFE
3	Ball	1	Chrome-plated brass CW617N
4	Stem	1	Brass CW614N
5	O-ring	1	NBR
6	O-ring	1	Viton®
7	Body	1	Nickel-plated brass CW617N
8	T handle	1	Varnished aluminium
9	Screw	1	Zinc-plated C4C