

INDUSTRIAL MATTING

NBR SBR P 9540 RW3



General:

NBR-SBR, black, high-grade
Sulphur crosslinked
For medium mechanical demands

Good oil resistant
fuel resistant (alcohol-free fuels)

Wrapping: stretched foil, labelled
standard finishing in separation foil

*SVHC-free

Properties:

Hardness [Shore A]:	ISO 7619-1	65±5
Density [g/cm³]:	ISO 1183-1	~1,45
Tensile Strength [N/mm²]:	ISO 37 type 2	7
Elongation at Break [%]:	ISO 37 type 2	250
ACN content:		33 %

correspond to WDK-guideline 2201 : 2020-10 "Quality characteristics of Elastomer sheets- and plates"

Working temperature range

Medium	dyn.(stat.)	max.	short-term
Air	(-10)°C	+70°C	+90°C

Compression set DIN ISO 815

Duration	Temperature	CS
22h	+70°C	40%

Ageing ISO 188

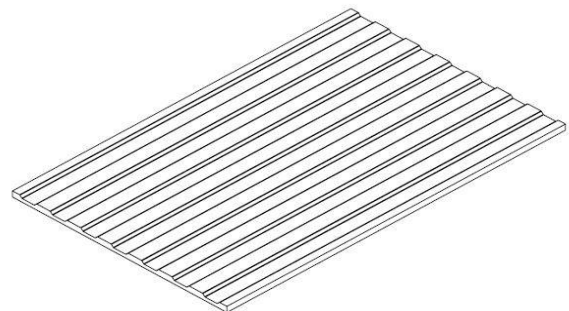
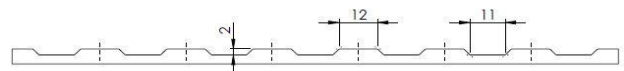
Conditions	Hardness	Strength	Elongation
70h / 70°C	7 Shore A	10%	20%

Swelling ISO 1817

Medium	Conditions	Hardness	Volume
IRM 903 Fuel B	70h / 100°C 70h / 23°C	10 Shore A	15 % 20 %

Stabilities:

Ozone resistance:	non resistant
Weather resistance:	non resistant
Oil resistance:	good resistant
Fuel resistance:	resistant
only alcohol-free fuels!	
Acid resistance:	moderately resistant
Strong bases:	moderately resistant
Abrasion resistance:	non suitable



ROTACURED SHEETS product number	Thickness mm	Width mm	Length mm
402199132	5,0	1.400	10.000
402199152	5,0	1.200	10.000

PAH disclaimer:

Referring to an [international proficiency test](#) and information received from the testing laboratories about accuracy of test results we may inform you, that test results for the same specimen from different laboratories may not correlate:

* Results of the 10 PAH with individual limits of < 1 mg/kg in the measurement range around the limit are only accurate to approx. ± 70%.

* Results of the overall limit of < 50 mg/kg are only accurate to approx. ± 35%

Our test results are provided on an as-is basis and to the best of our knowledge, without any legally binding commitment. Our tests do not release you from own tests as to the respective application envisaged.

Please note:

This datasheet has been carefully compiled to advise you, our customer, in the best possible way. The information, figures, test values and data correspond to actual engineering standards and are the result of many years of tests and trials. As individual operation conditions influence the application of each product, the information supplied in this datasheet can only be seen as a rough guideline. In every case it is the sole responsibility of the customer to evaluate his individual requirements, in particular whether specified properties of our products are sufficient for the intended use. If there is any doubt (e.g. chemical resistance), do not hesitate to contact our qualified engineers. The use of our products is at the user's own risk. We do not have any influence concerning the application and individual usage. We do of course warrant the quality of our products according to our General Sales Conditions, available on our website or on request. ©Copyright 2020 Semperit Technische Produkte GmbH

Subject to alteration without prior notice: In order to always have the latest product- and safety information make sure you visit our website (www.semperitgroup.com) regularly or contact specialist dealers or a Semperit application engineer. Additional important general information about the range, storage and tolerances can also be found at our website (www.semperitgroup.com) and must be followed without exception.

certified according to ISO 9001:2015, ISO 45001:2018, ISO 48-4

Date: 2020-12-01 SEMPERIT Elastomer Sheeting DP-INNBRBRP9540RW3-en-v1